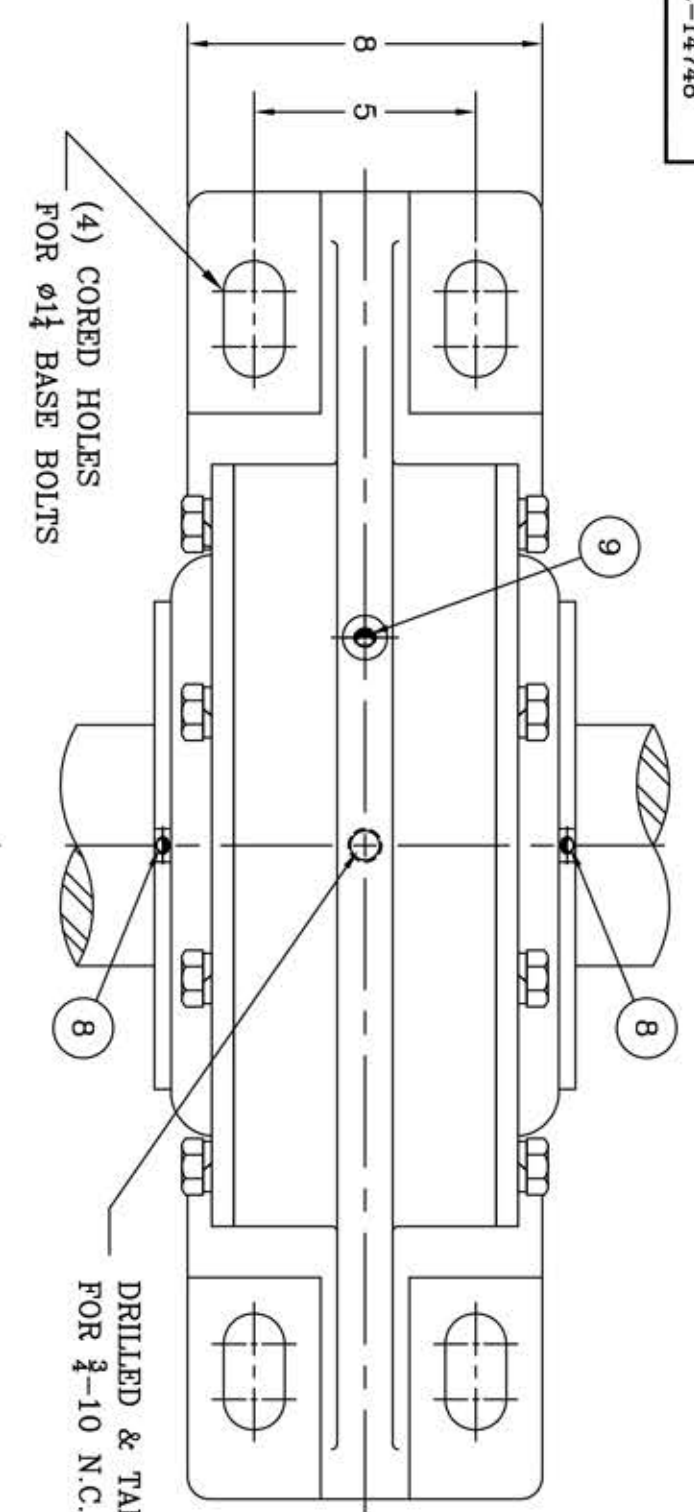
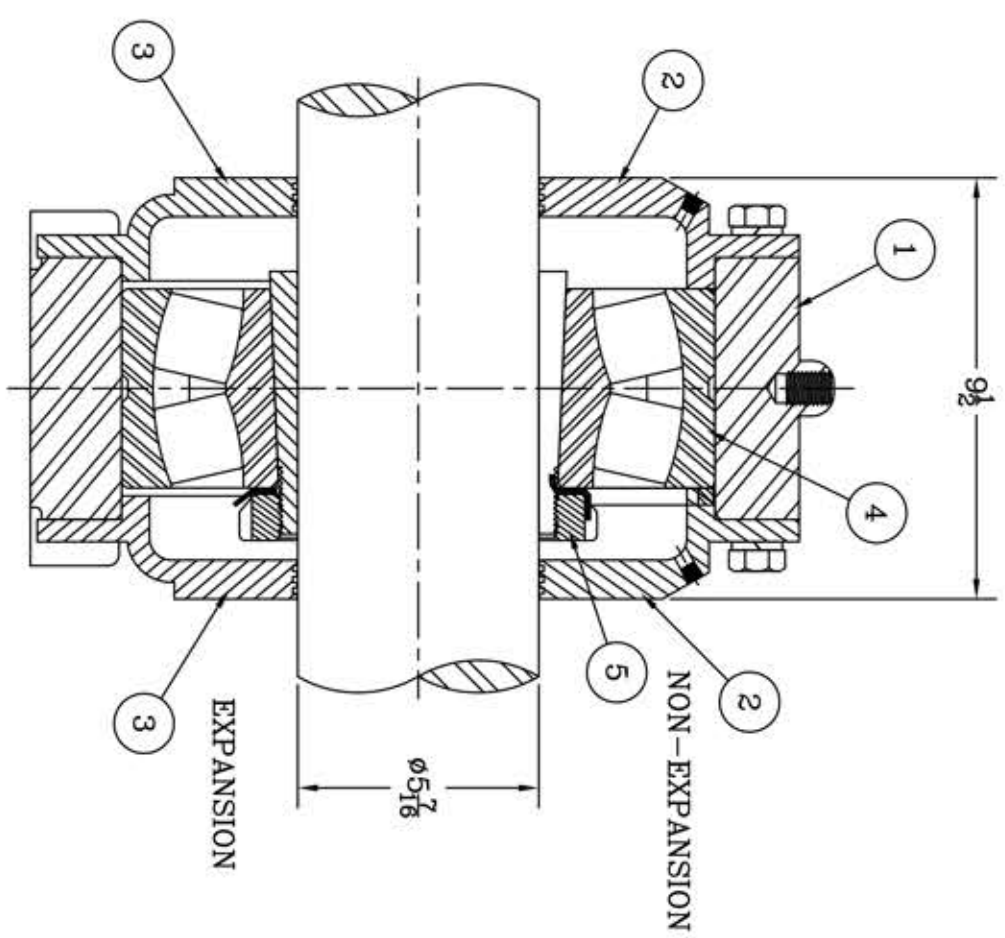
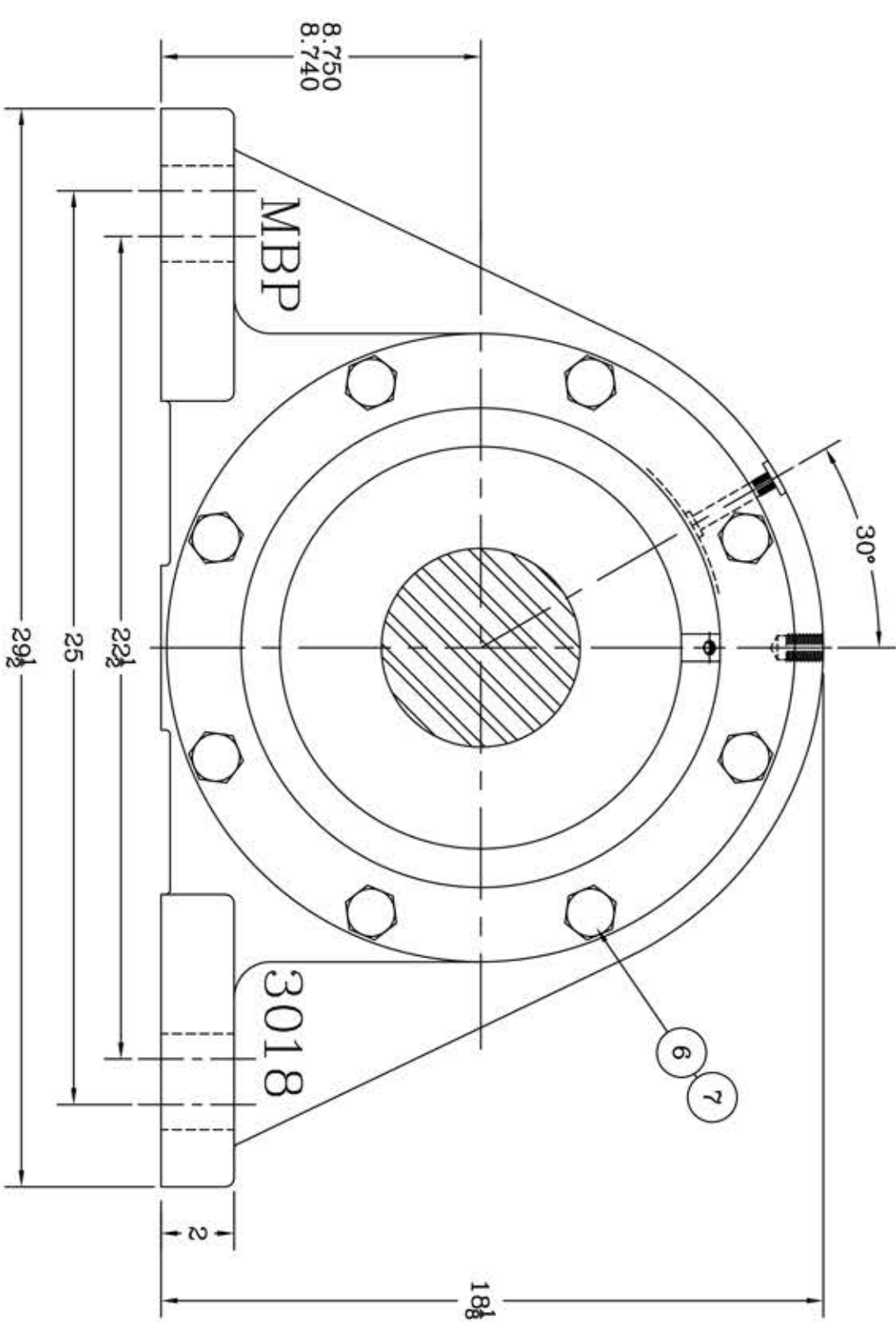


This drawing is the sole property of Miether Bearing Products and contains confidential and proprietary information. It is being provided to you for your use and may not be disclosed to any third party or used for any other purpose without Miether's prior written consent. The [materials] must be returned to the Company upon its demand. Your acceptance of these materials constitutes your acceptance of the foregoing terms.

C-14748



ITEM	DESCRIPTION	DETAIL	REQUIRED
1	HOUSING M 3018	C-22177	1 1
2	END CAP F3510	C-22902	1 0
3	END CAP F3511	C-22902	0 1
4	SPHERICAL ROLLER BEARING	22332K/W-33	1 1
5	ADAPTER SNW-132 05-07	24470	1 1
6	CAP BOLT HEX. HEAD	$\frac{3}{4}$ -10 NC x $1\frac{1}{2}$ LONG	16 16
7	LOCKWASHER	$\frac{3}{4}$ SPLIT MED.	16 16
8	PIPE PLUG	$\frac{1}{8}$ -27 NPT	2 2
9	PIPE PLUG	$\frac{1}{4}$ -18 NPT	1 1



REDRAWN ON COMPUTER
RWB per KAB
10-9-03

REVISIONS

SYMBOL	DESCRIPTION
∇	16
∇	32
∇	63
∇	125
∇	250
∇	500
∇	1000

TOLERANCE: UNLESS OTHERWISE SPECIFIED

FRACTIONS	DECIMALS	CASTING	ANGLES	WELD
$\pm 1/32$	$\pm .005$	$\pm 1/16$	$\pm 0^\circ 30'$	$\pm 1/16$

A.I.S.I. STANDARD FINISHES

AN ALCO INDUSTRIES COMPANY
BEARING PRODUCTS
ODESSA, TX. USA

MMW 22632 05-07
ASSEMBLY DRAWING

SCALE 1 = 3
DRAWN JC
DATE 3/28/74
CHK:

ASSEMBLY NO.
DRAWING NO. C-14748